

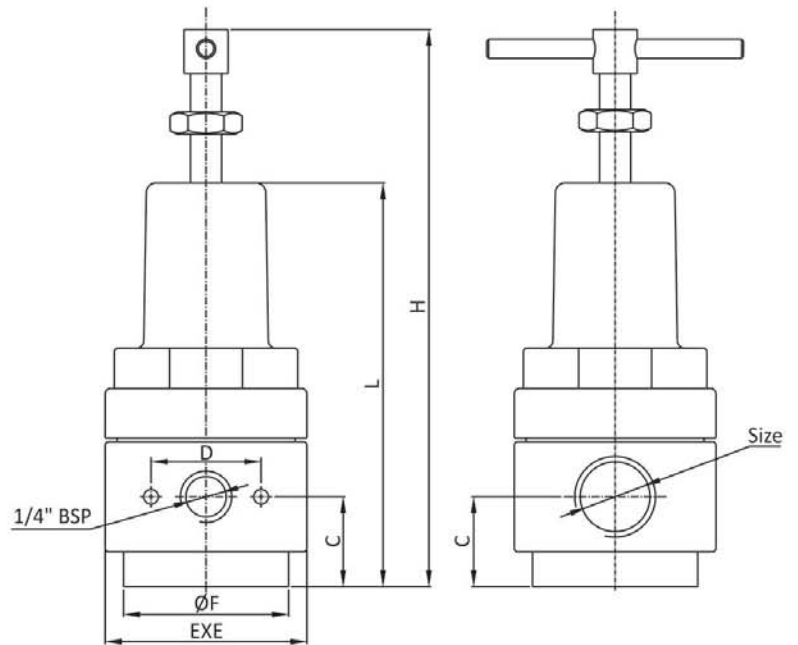
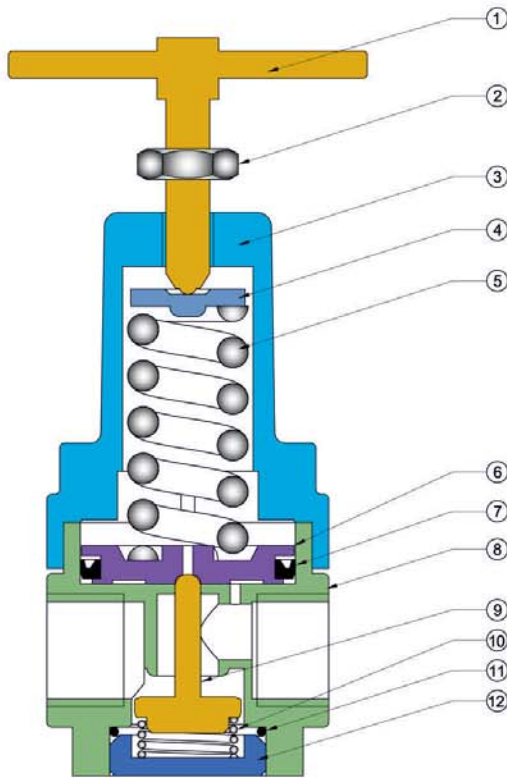
Air Regulator (High Pressure 42 Kg)

Features

- ▶ Comfortable to all industrial use
- ▶ Mounting Available
- ▶ Heavy Design & Rugged Used
- ▶ High flow rate
- ▶ Lockable Rotary "T" Type Knob

Technical Specification

Model	HPQR - 08	HPQR - 15	HPQR - 20	HPQR - 25
Size	1/4"	1/2"	3/4"	1"
Inlet Pressure	Upto 0.5 to 42 Kg/cm ²			
Outlet Pressure	Upto 0 to 30 Kg/cm ²			
Temperature	Upto 50 °C			
Leakage	Bubble Tight			
Adjusting Setting	Turn 'T' type key clock wise to increase pressure			
Media	Compressed air			



No.	Part Name	Material
1	Adjusting Stud Key	Steel Plated
2	Check Nut	Steel Plated
3	Bonnet Cover	Aluminum Pressure Die Cast
4	Spring Plate	Steel Plated
5	Pressure Setting	Spring Steel
6	Piston	Aluminum
7	'V' Seals	NBR
8	Body	Aluminum
9	Plunger	Aluminum
10	Plunger Spring	S. S.
11	'O' Ring	NBR
12	Bottom Plug	Aluminum

Dimensions :

(All Dimensions are in mm)

MODEL	SIZE	H	L	C	D	EXE	ØF	Weight (Kg.) Approx.
HPQR - 08	1/4"	145	110	25	30.5	55X55	45	0.580
HPQR - 15	1/2"	145	110	25	30.5	55X55	45	0.569
HPQR - 20	3/4"	230	175	47.5	40	75X75	54	1.498
HPQR - 25	1"	230	175	47.5	40	75X75	54	1.510